



# 2019 Gasket Catalog for Liquid & Gas Tank Containers

8140 Quality Drive, Prince George, VA 23875  
800-334-6013 • [vsptechnologies.com](http://vsptechnologies.com)

Kingsport, TN | Houston, TX | Parkersburg, WV | Lake Charles, LA | Baton Rouge, LA



© VSP Technologies 2019

8140 Quality Drive, Prince George, VA 23875  
800-334-6013 • [vsptechnologies.com](http://vsptechnologies.com)

---

Kingsport, TN | Houston, TX | Parkersburg, WV | Lake Charles, LA | Baton Rouge, LA

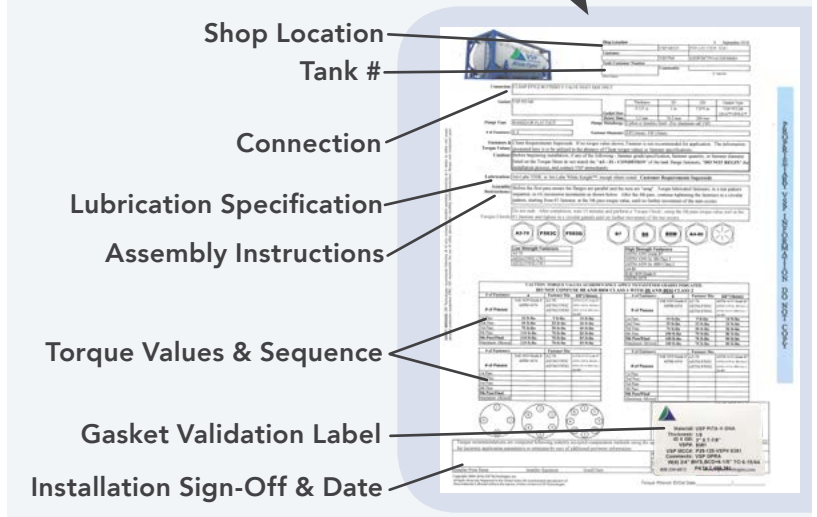
# 2019 GASKET CATALOG FOR LIQUID & GAS TANK CONTAINERS

RideTight®	4
Hydro2Hydro™	5
Liquid Tank Connections	6
(A) Bottom Outlet Valve	7
(B) Top Discharge Valve/Dip Tube	8
(C) Tank Pad/Provisionals	9
(D) Airline Valve Flange	10
(E) Safety Relief Valve (SRV)	11
(F) Manway	12
Gas Tank Connections	13
(A) Liquid Line	14
(B) Vapor Line	15
(C) Safety Relief Valve (SRV)	16
(D) Manway	17
CycleTight® Gaskets for Tank Containers	18
PITA® Ring Gaskets for Tank Containers	19
Contacts	20

8140 Quality Drive, Prince George, VA 23875  
800-334-6013 • vsptechnologies.com

# RideTight®

Fluid Sealing Management Program for Bulk Transportation



8140 Quality Drive, Prince George, VA 23875  
800-334-6013 • vsptechnologies.com

# Hydro2Hydro™

No Gasket Change Out Required between 5 Year Periodic Hydro Testing with VSP's RideTight® Program



New



5 Year - No Leaks



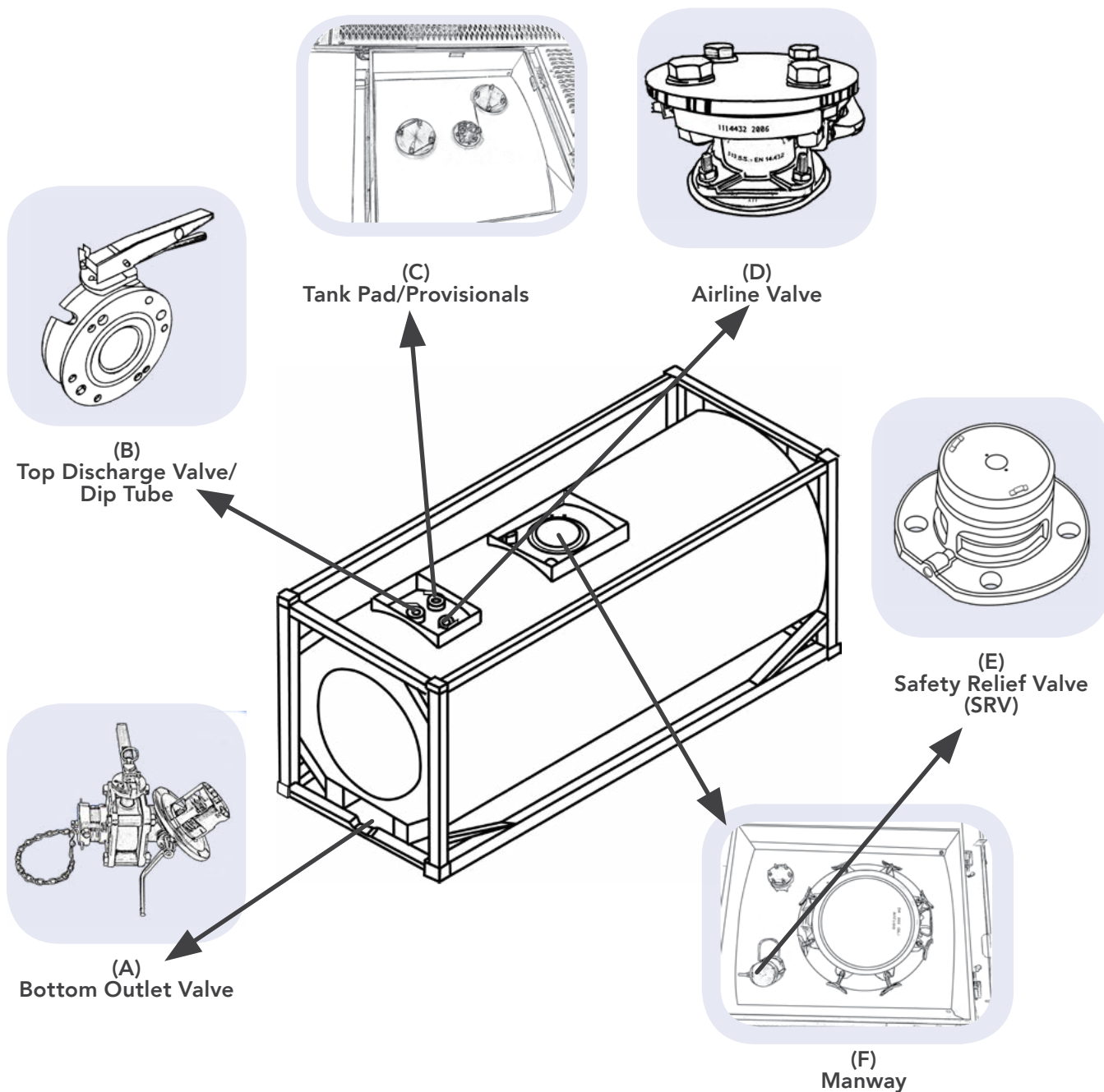
5 Year - Close Up

## Lowest Total Cost of Ownership (TCO)

- ▶ High tightness sealing provides **Leak Free** long-term reliability
- ▶ Retorque costs eliminated - VSP's PITA gasket is "Torque-Holding", maintaining fastener preload
- ▶ Provides leak free reliability through tighter sealing parameters

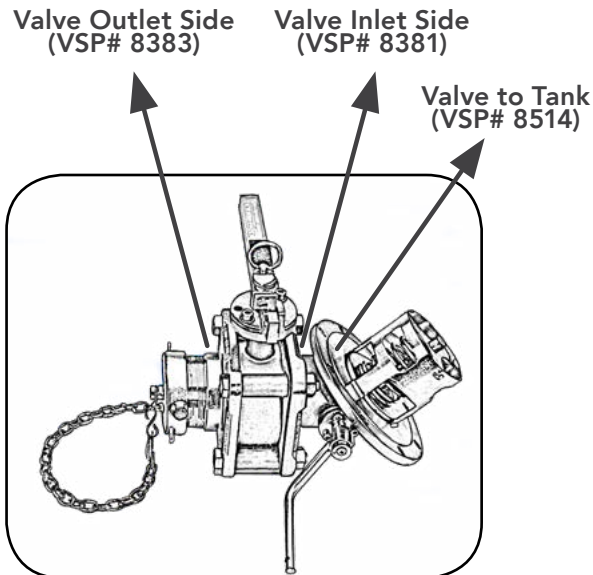
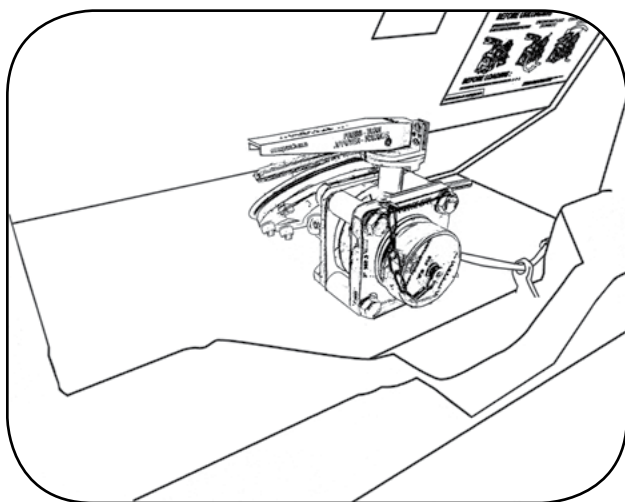
8140 Quality Drive, Prince George, VA 23875  
800-334-6013 • vsptechnologies.com

# LIQUID TANK CONNECTIONS



8140 Quality Drive, Prince George, VA 23875  
800-334-6013 • vsptechnologies.com

# (A) BOTTOM OUTLET VALVE



VSP MCC#	CONNECTION	FLANGE TYPE	GASKET TYPE	THK	ID	OD	FULL-FACE DIMENSIONS	# BOLTS	BOLT DIAMETER	GASKET DESIGN
P29-125-VSP# 8514	LIQUID TANK INTERNAL FOOT VALVE FLANGE (4 AND 8 BOLT) - FT VALE, PEROLO, GIRARD	RAISED OR FLAT FACE	VSP PITA® OPRA™	0.125" 3.0mm	4.750" 120.7mm	8.187" 208mm	W/(4) 0.562" (14.3mm) AND (4) 0.750" (19.1mm) BHS, BCD= 7.000" (177.8mm)	4, 8	0.500", 0.625" 12mm, 16mm	
P29-125-VSP# 8381	NPS 3 CLASS 150 / DIN 80 PN 16	BUTTERFLY VALVE INLET SIDE	VSP PITA® DNA™ OPRA™	0.125" 3.0mm	3.000" 76.2mm	7.875" 200mm	W/(4) 0.750" (19.1mm) SLOTS, BCD = 6.125" (155.6mm) TO 6.234" (158.4mm)	4, 8	0.625", 0.625" 16mm, 16mm	
P29-125-VSP# 8383	NPS 3 CLASS 150 / DIN 80 PN 16	BUTTERFLY VALVE OUTLET SIDE	VSP PITA® DNA™ OPRA™	0.125" 3.0mm	3.500" 85.9mm	7.875" 200mm	W/(4) 0.750" (19.1mm) SLOTS, BCD = 6.125" (155.6mm) TO 6.234" (158.4mm)	4, 8	0.625", 0.625" 16mm, 16mm	

## VSP PITA® OPRA™

- ▶ PITA - ePTFE with a stainless steel core achieves lower stress to seal with lower torque loss and high chemical inertness
- ▶ OPRA - reduced area technology with full flange support to eliminate flange bending



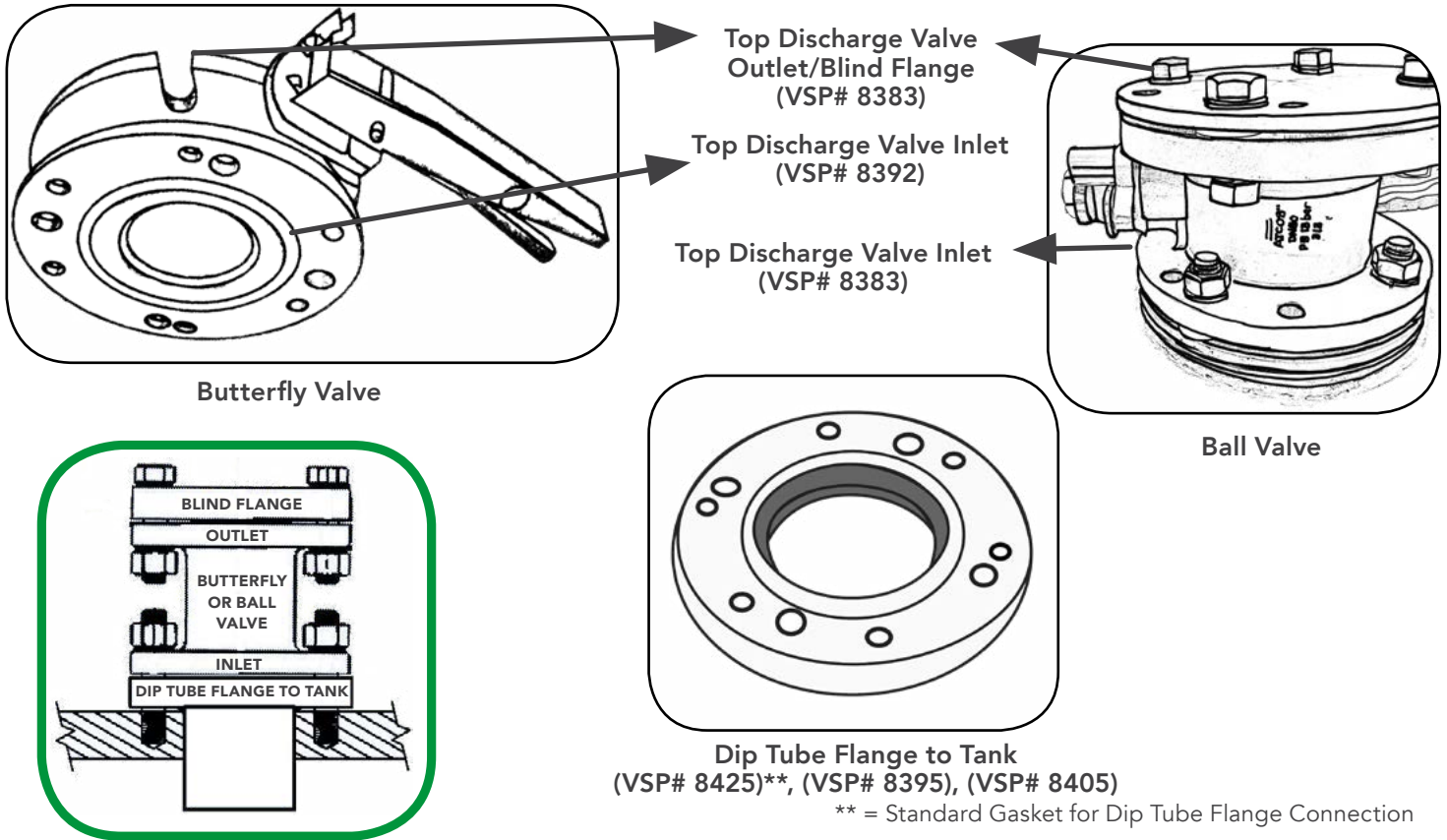
## VSP PITA® DNA™ OPRA™

- ▶ DNA = For Din and ANSI flanges
- ▶ Fits many valve/flange types
- ▶ Designed specifically for tank containers



8140 Quality Drive, Prince George, VA 23875  
800-334-6013 • vsptechnologies.com

# (B) TOP DISCHARGE VALVE/DIP TUBE



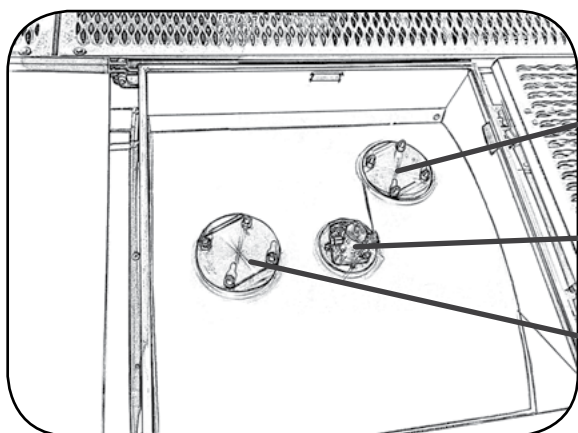
\*\* = Standard Gasket for Dip Tube Flange Connection

VSP MCC#	CONNECTION	FLANGE TYPE	GASKET TYPE	THK	ID	OD	FULL-FACE DIMENSIONS	# BOLTS	BOLT DIAMETER	GASKET DESIGN
P29-125-VSP# 8425	WELD PAD TO TANK EDUCTION FLANGE BUTTERFLY VALVE 4 AND 6 BOLT - FT VALE, PEROLO, GIRARD	DIP TUBE FLANGE	VSP PITA®OPRA™	0.125" 3.0mm	4.000" 101.6mm	7.625" 193.7mm	W/(4) 0.562" (14.3mm) AND (4) 0.750" (19.1mm) SLOTS, BCD= 6.250" (158.6mm) TO 6.687" (169.9mm)	4, 6	0.500", 0.625" 12mm, 16mm	
P29-125-VSP# 8405	DIP TUBE FLANGE TO TANK FLANGE, RECESSED FLANGE ONLY - FT VALE, PEROLO, GIRARD	DIP TUBE RECESSED FLANGE	VSP PITA®RING	0.125" 3.0mm	3.750" 95.3mm	5.125" 5.875mm		4, 6	0.500", 0.625" 12mm, 16mm	
P29-125-VSP# 8395	DIP TUBE FLANGE TO TANK FLANGE LARGE BORE - FT VALE, PEROLO, GIRARD	DIP TUBE FLANGE	VSP PITA®RING	0.125" 3.0mm	3.750" 95.3mm	5.875" 149.2mm		4, 6, 8	0.500", 0.625" 12mm, 16mm	
P29-125-VSP# 8392	NPS 3 CLASS 150 / DIN 80 PN 16	BUTTERFLY VALVE INLET SIDE	VSP PITA®DNA™ OPRA™	0.125" 3.0mm	3.000" 76.2mm	7.875" 200mm	W/(4) 0.562" (14.3mm) AND (4) 0.750" (19.1mm) SLOTS, BCD= 5.687" (144.5mm) TO 6.687" (169.9mm)	4, 6	0.500", 0.625" 12mm, 16mm	
P29-125-VSP# 8383	LIQUID TANK INTERNAL FOOT VALVE FLANGE (4 AND 8 BOLT) - FT VALE, PEROLO, GIRARD	RAISED OR FLAT FACE/BUTTERFLY OUTLET SIDE/BALL VALVE INLET AND OUTLET SIDE	VSP PITA®DNA™ OPRA™	0.125" 3.0mm	3.500" 85.9mm	7.875" 200mm	W/(4) 0.750" (19.1mm) SLOTS, BCD= 6.125" (155.6mm) TO 6.234" (158.4mm)	4, 8	0.625", 0.625" 16mm, 16mm	

8140 Quality Drive, Prince George, VA 23875  
800-334-6013 • vsptechnologies.com



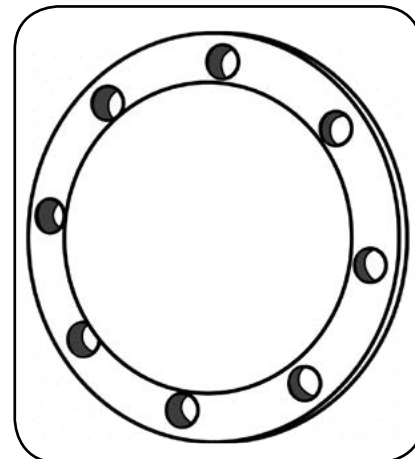
# (C) TANK PAD/PROVISIONALS



NPS 2" Class 150/  
DIN 50 PN 16  
(VSP# 8241)

NPS 1-1/2" Class 150/  
DIN 40 PN 16  
(VSP# 8136)

NPS 3" Class 150/  
DIN 80 PN 16  
(VSP# 8383)

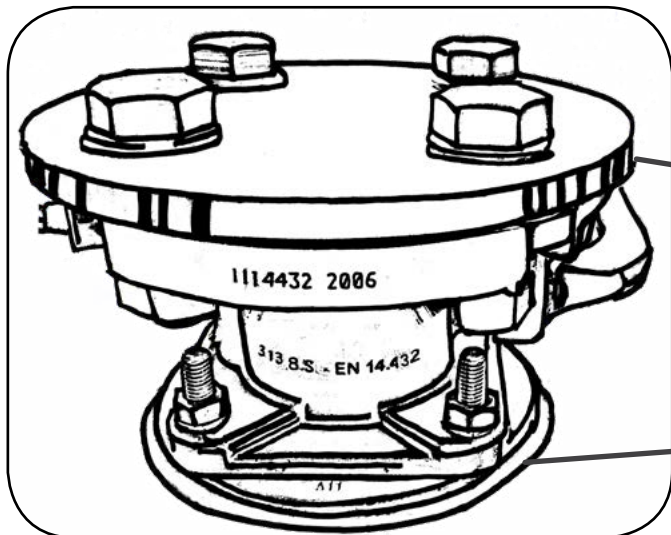


Dip Tube to Tank Pad & Provisional / 4 and 8 Bolt  
(VSP# 8427)

VSP MCC#	CONNECTION	FLANGE TYPE	GASKET TYPE	THK	ID	OD	FULL-FACE DIMENSIONS	# BOLTS	BOLT DIAMETER	GASKET DESIGN
P29-125-VSP# 8136	NPS 1-1/2 CLASS 150/DIN 40 PN 16	RAISED OR FLAT FACE	VSP PITA® DNA™ OPRA™	0.125" 3.0mm	1.910" 48.5mm	5.900" 149.9mm	W/(4) 0.625" (15.9mm) BHS, BCD = 3.875" (98.4mm) AND (4) 0.750" (19.1mm) BHS, BCD = 4.344" (119.1mm)	4	0.500", 0.562", 0.625" 12mm, 14mm, 16mm	
P29-125-VSP# 8241	NPS 2 CLASS 150/DIN 40 PN 16	RAISED OR FLAT FACE	VSP PITA® DNA™ OPRA™	0.125" 3.0mm	2.375" 60.3mm	6.500" 165.1mm	W/(4) 0.750" (19.1mm) SLOTS, BCD = 4.750" (120.7mm) TO 4.921" (124.99mm)	4	0.500", 0.562", 0.625" 12mm, 14mm, 16mm	
P29-125-VSP# 8383	NPS 3 CLASS 150/DIN 80 PN 16	RAISED OR FLAT FACE	VSP PITA® DNA™ OPRA™	0.125" 3.0mm	3.500" 85.9mm	7.875" 200mm	W/(4) 0.750" (19.1mm) SLOTS, BCD = 6.125" (155.6mm) TO 6.234" (158.4mm)	4, 8	0.625", 0.625" 16mm, 16mm	
P29-125-VSP# 8391	BUTTERFLY VALVE 4 AND 6 BOLT - FT VALE, PEROLO, GIRARD	RAISED OR FLAT FACE	VSP PITA® OPRA™	0.125" 3.0mm	3.500" 88.9mm	7.625" 193.7mm	W/(4) 0.562" (14.3mm) AND (4) 0.750" (19.1mm) SLOTS, BCD = 5.687" (144.5mm) TO 6.687" (152.4mm)	4, 6	0.500", 0.625" 12mm, 16mm	
P29-125-VSP# 8427	DIP TUBE TO TANK PAD & PROVISIONAL/4 AND 8 BOLT	RAISED OR FLAT FACE	VSP PITA® OPRA™	0.125" 3.0mm	4.000" 101.6mm	7.875" 200mm	W/(4) 0.750" (19.1mm) SLOTS, BCD = 6.125" (155.6mm) TO 6.297" (160mm)	4, 8	0.625", 0.625" 16mm, 16mm	

8140 Quality Drive, Prince George, VA 23875  
800-334-6013 • vsptechnologies.com

# (D) AIRLINE VALVE FLANGE



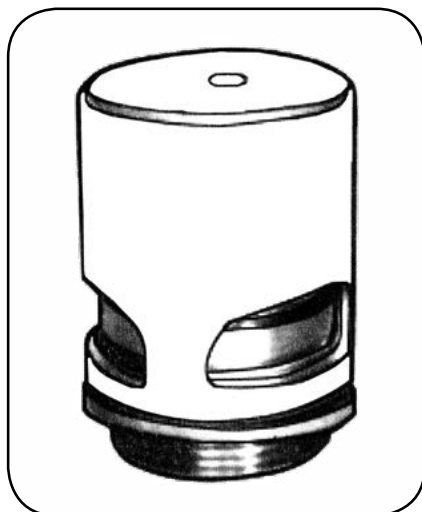
NPS 2" Class 150/  
DIN 50 PN 16  
(VSP# 8241)

NPS 1-1/2" Class 150/  
DIN 40 PN 16  
(VSP# 8136)

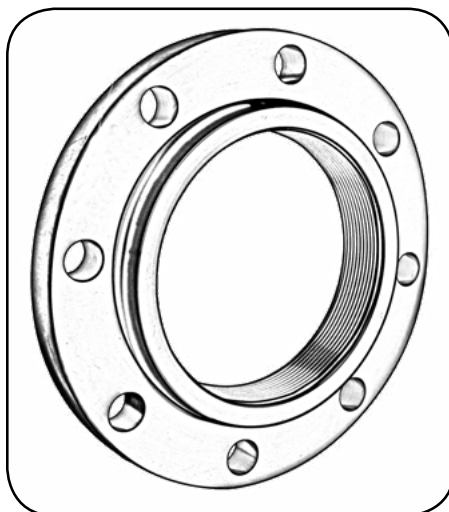
VSP MCC#	CONNECTION	FLANGE TYPE	GASKET TYPE	THK	ID	OD	FULL-FACE DIMENSIONS	# BOLTS	BOLT DIAMETER	GASKET DESIGN
P29-125-VSP# 8136	NPS 1-1/2 CLASS 150/ DIN 40 PN 16	RAISED OR FLAT FACE	VSP PITA® DNA™ OPRA™	0.125" 3.0mm	1.910" 48.5mm	5.900" 149.9mm	W/(4) 0.625" (15.9mm) BHS, BCD = 3.875" (98.4mm) AND (4) 0.750" (19.1mm) BHS, BCD = 4.344" (119.1mm)	4	0.500", 0.562", 0.625" 12mm, 14mm, 16mm	
P29-125-VSP# 8241	NPS 2 CLASS 150/DIN 40 PN 16	RAISED OR FLAT FACE	VSP PITA® DNA™ OPRA™	0.125" 3.0mm	2.375" 60.3mm	6.500" 165.1mm	W/(4) 0.750" (19.1mm) SLOTS, BCD = 4.750" (120.7mm) TO 4.921" (124.99mm)	4	0.500", 0.562", 0.625" 12mm, 14mm, 16mm	

8140 Quality Drive, Prince George, VA 23875  
800-334-6013 • vsptechnologies.com

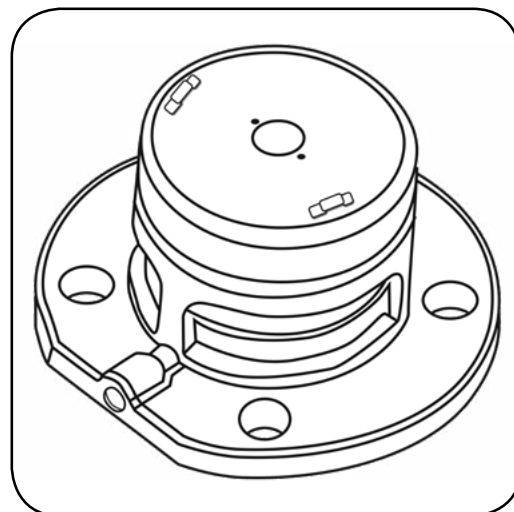
## (E) SAFETY RELIEF VALVE (SRV)



Threaded SRV  
(VSP# 8275)



SRV Adapter Flange  
(VSP# 8305)

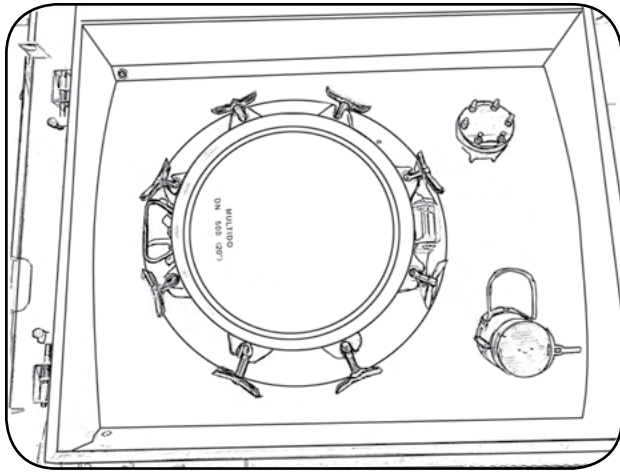


Flanged Body SRV  
(VSP# 8391)

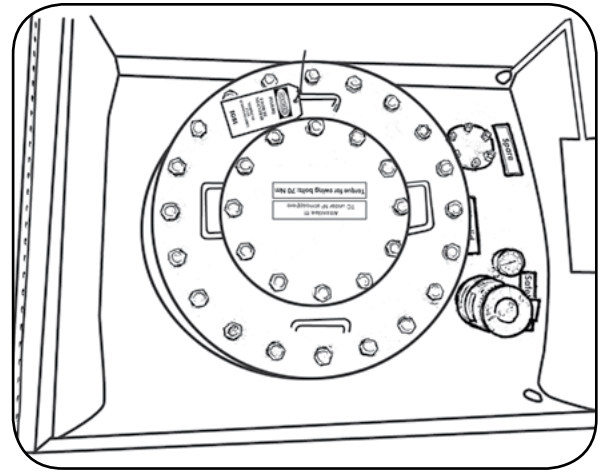
VSP MCC#	CONNECTION	FLANGE TYPE	GASKET TYPE	THK	ID	OD	FULL-FACE DIMENSIONS	# BOLTS	BOLT DIAMETER	GASKET DESIGN
P29-125-VSP# 8275	SAFETY RELIEF VALVE (THREADED) INTO TANK BASE MOUNT FLANGE - FT VALVE, PEROLO, GIRARD	RAISED OR FLAT FACE	VIRGIN PTFE RING	0.125" 3.0mm	2.937" 74.6mm	3.750" 95.3mm				
P29-125-VSP# 8305	SAFETY RELIEF VALVE (THREADED) ADAPTER FLANGE TO TANK BASE MOUNT FLANGE (6 BOLT) - FT. VALE, PEROLO, GIRARD	RAISED OR FLAT FACE	PREMIUM ePTFE VSP OPRA™	0.125" 3.0mm	3.250" 82.6mm	5.000" 127mm	W/(6) 0.453" (11.5mm) BHS, BCD = 4.125" (104.8mm)	6	0.375" 10mm	
P29-125-VSP# 8391	BUTTERFLY VALVE 4 AND 6 BOLT - FT VALE, PEROLO, GIRARD	FLANGE VALVE BODY	VSP PITA® OPRA™	0.125" 3.0mm	3.500" 88.9mm	7.625" 193.7mm	W/(4) 0.562" (14.3mm) AND (4) 0.750" (19.1mm) SLOTS, BCD = 5.687" (144.5mm) TO 6.687" (152.4mm)	4, 6	0.500", 0.625" 12mm, 16mm	

8140 Quality Drive, Prince George, VA 23875  
800-334-6013 • vsptechnologies.com

# (F) MANWAY



Hinged Lid



Bolt Down Lid

VSP MCC#	CONNECTION	FLANGE TYPE	GASKET TYPE	THK	ID	OD	FULL-FACE DIMENSIONS	# BOLTS	BOLT DIAMETER	GASKET DESIGN
***	MANWAY	RAISED/FLAT FACE OR TONGUE & GROOVE	VSP CYCLETIGHT® TYPE 7/TYPE 6	***	***	***		20	0.625", 1.125" 16mm, 28.6mm	
P29-520-VSP# 9008	MANWAY	HINGED MANWAY	VSP CARGOTIGHT™	0.520" 13.2mm	19.300" 490.2mm	20.263" 514.7mm		4, 8	0.625", 0.750" 16mm, 19mm	

\*\*\* = Dimensions will vary for different manway lid styles; see page 17

## VSP CargoTight™

- ▶ Chemically inert
- ▶ Self-Centering Design fits all common tank container manways
- ▶ Torque retention through engineered V-Notch™ and stainless steel core



## VSP CycleTight®

- ▶ Broad range of chemical resistance
- ▶ Patented insert technology achieves lower stress to seal, lower relaxation & torque loss, and protection against cut through, cracks & distortion

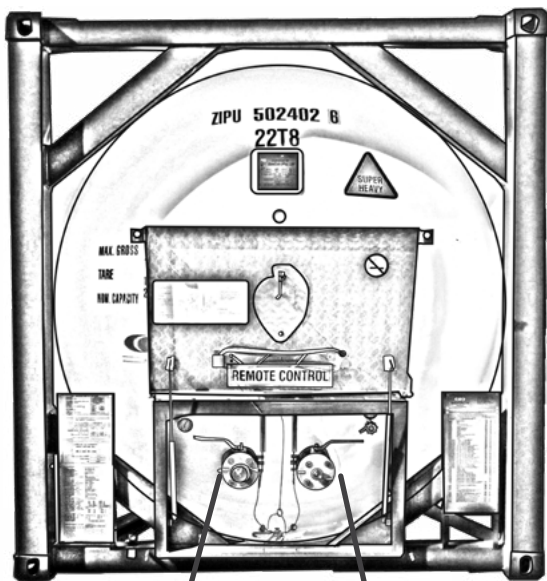


8140 Quality Drive, Prince George, VA 23875  
800-334-6013 • vsptechnologies.com

# GAS TANK CONNECTIONS

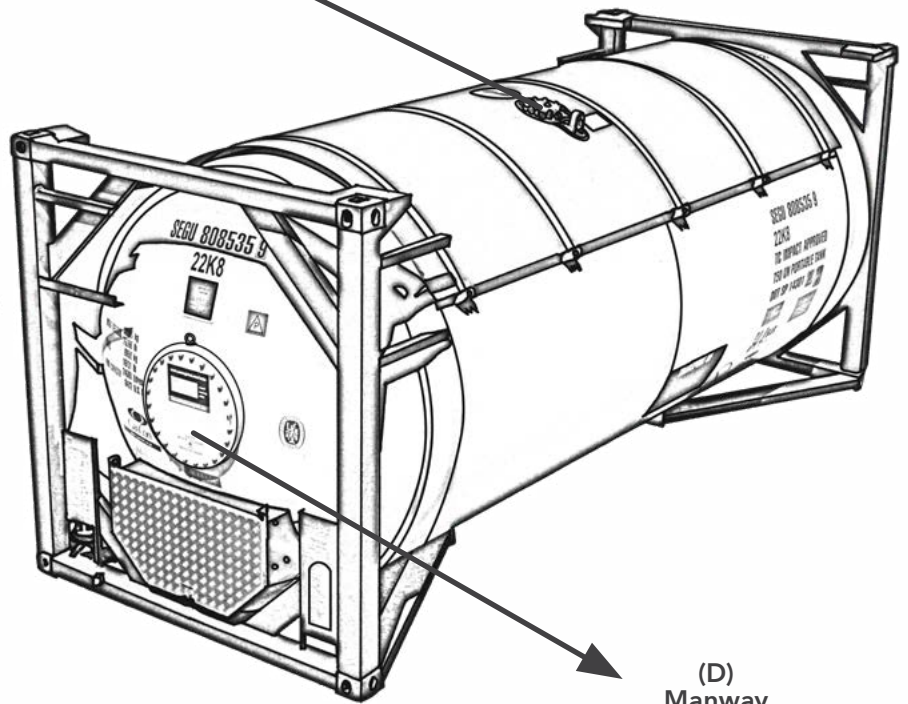


(C)  
Safety Relief Valve (SRV)



(A)  
Liquid Line

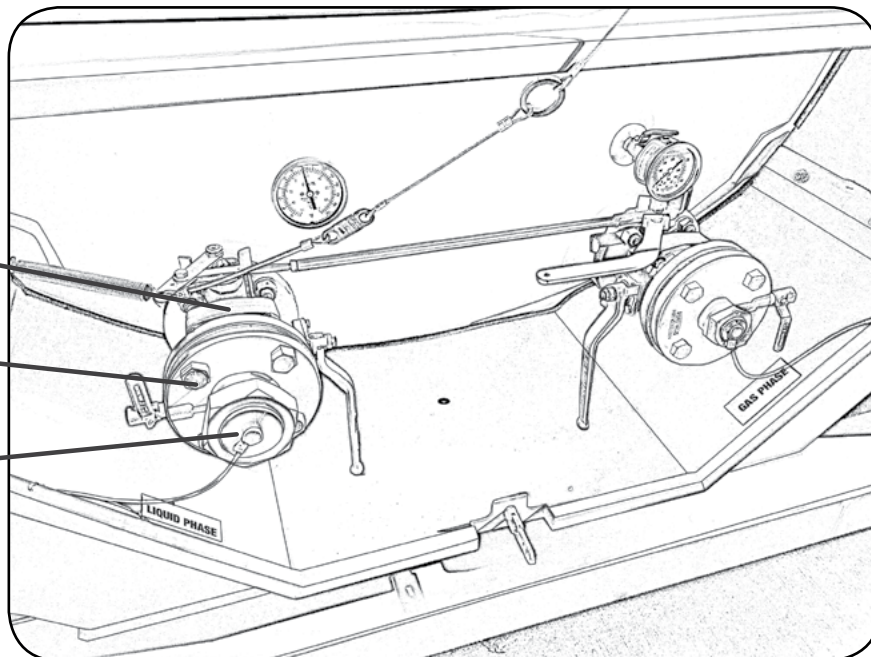
(B)  
Vapor Line



(D)  
Manway

8140 Quality Drive, Prince George, VA 23875  
800-334-6013 • vsptechnologies.com

# (A) LIQUID LINE



Valve to Tank  
(VSP# 8231)

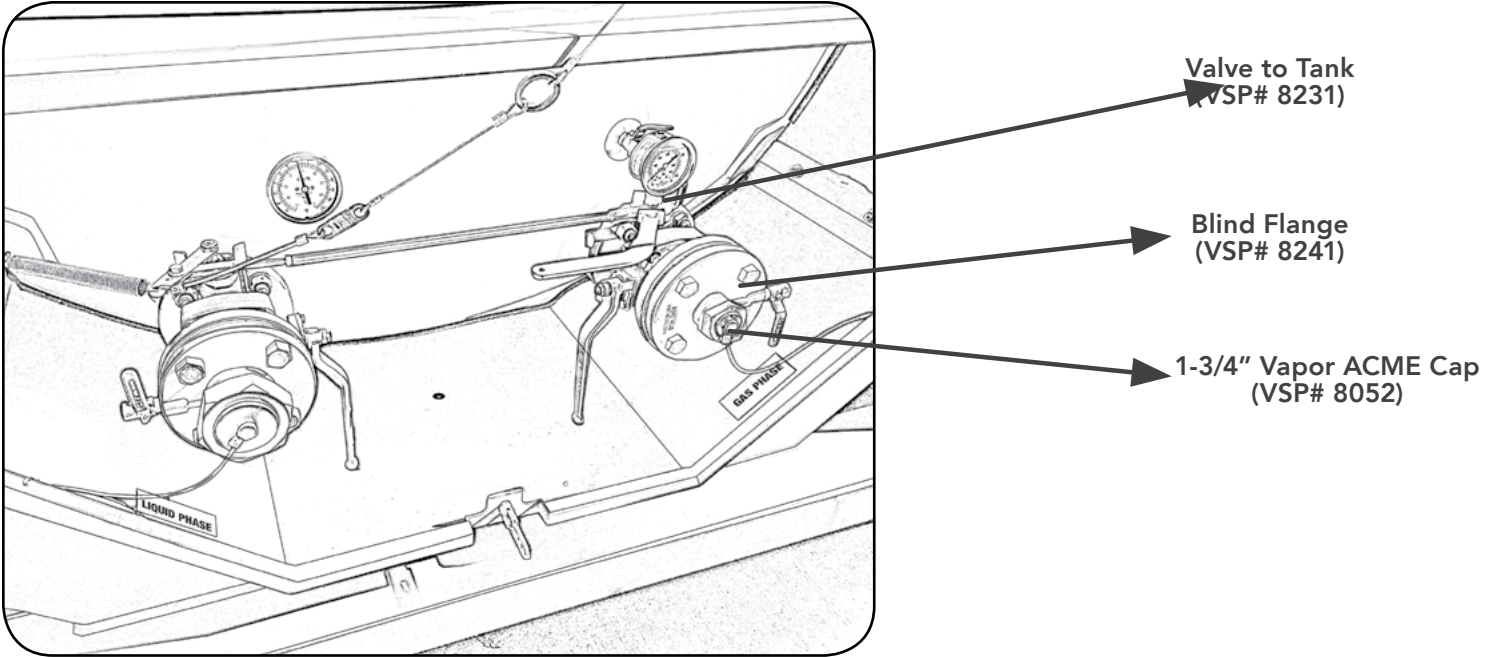
Blind Flange  
(VSP# 8241)

3-1/4" Liquid ACME Cap  
(VSP# 8162)

VSP MCC#	CONNECTION	FLANGE TYPE	GASKET TYPE	THK	ID	OD	FULL-FACE DIMENSIONS	# BOLTS	BOLT DIAMETER	GASKET DESIGN
P29-125-VSP# 8231	INTERNAL VALVE FLANGE TO TANK FLANGE (NPS 2, DIN 50) - FT. VALE, MECHOTHERMIC	RAISED FACE OR RECESSED FLANGE	VSP PITA® RING	0.125" 3.0mm	2.375" 60.3mm	3.375" 85.7mm		4, 8	0.500", 0.625" 12mm, 16mm	
P29-125-VSP# 8241	NPS 2 CLASS 150/DIN 50 PN 16	RAISED OR FLAT FACE	VSP PITA® DNA™ OPRA™	0.125" 3.0mm	2.375" 60.3mm	6.500" 165.1mm	W/(4) 0.750" (19.1mm) SLOTS, BCD = 4.750" (120.7mm) TO 4.921" (125mm)	4	0.500", 0.562", 0.625" 12mm, 14mm, 16mm	
P29-125-VSP# 8162	3-1/4" ACME CAP	CAP	VIRGIN PTFE RING	0.125" 3.0mm	2.093" 53.2mm	2.844" 72.2mm				

8140 Quality Drive, Prince George, VA 23875  
800-334-6013 • vsptechnologies.com

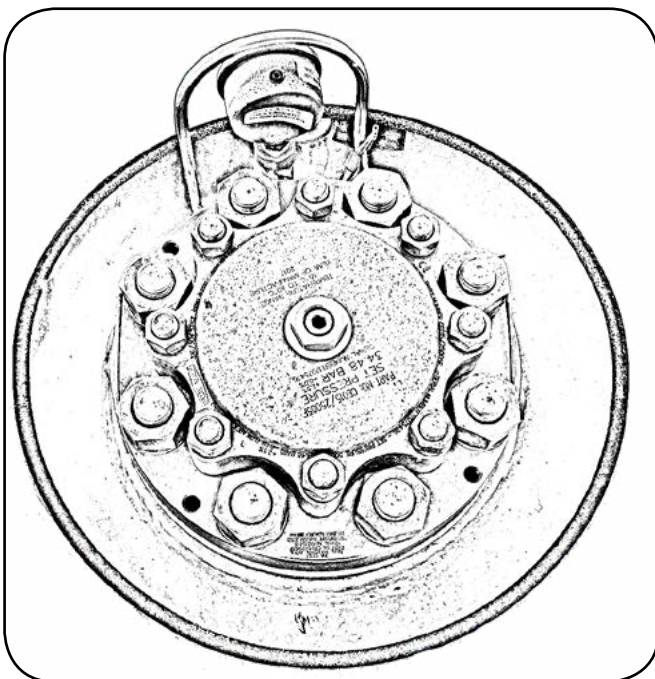
## (B) VAPOR LINE



VSP MCC#	CONNECTION	FLANGE TYPE	GASKET TYPE	THK	ID	OD	FULL-FACE DIMENSIONS	# BOLTS	BOLT DIAMETER	GASKET DESIGN
P29-125-VSP# 8231	INTERNAL VALVE FLANGE TO TANK FLANGE (NPS 2, DIN 50) - FT. VALE, MECHOTHERMIC	RAISED FACE OR RECESSED FLANGE	VSP PITA® RING	0.125" 3.0mm	2.375" 60.3mm	3.375" 85.7mm		4, 8	0.500", 0.625" 12mm, 16mm	
P29-125-VSP# 8241	NPS 2 CLASS 150/DIN 50 PN 16	RAISED OR FLAT FACE	VSP PITA® DNA™ OPRA™	0.125" 3.0mm	2.375" 60.3mm	6.500" 165.1mm	W/(4) 0.750" (19.1mm) SLOTS, BCD = 4.750" (120.7mm) TO 4.921" (125mm)	4	0.500", 0.562", 0.625" 12mm, 14mm, 16mm	
P29-125-VSP# 8052	1-3/4" ACME CAP	CAP	VIRGIN PTFE RING	0.125" 3.0mm	1.062" 27mm	1.377" 35mm				

8140 Quality Drive, Prince George, VA 23875  
800-334-6013 • vsptechnologies.com

## (C) SAFETY RELIEF VALVE (SRV)

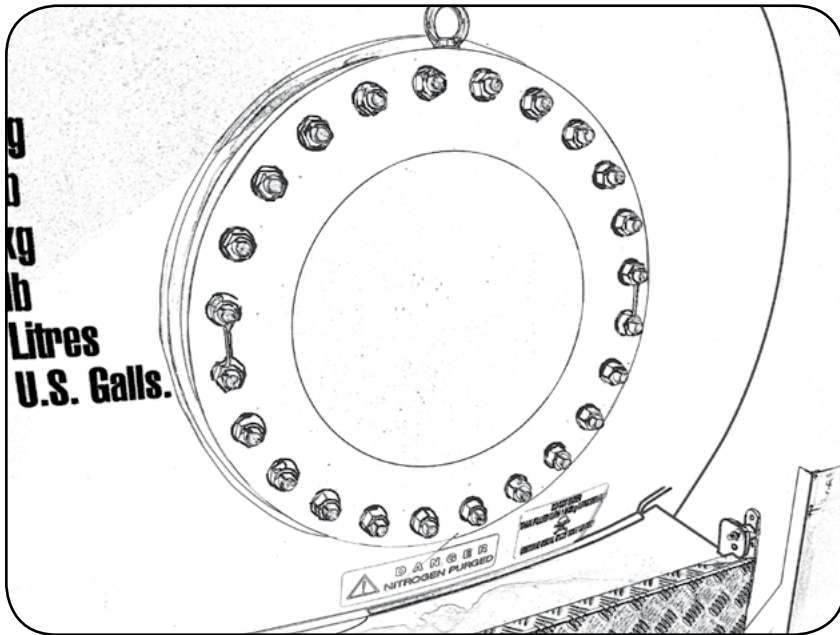


VSP MCC#	CONNECTION	FLANGE TYPE	GASKET TYPE	THK	ID	OD	FULL-FACE DIMENSIONS	# BOLTS	BOLT DIAMETER	GASKET DESIGN
P29-125-VSP# 8601	SAFETY RELIEF VALVE FLANGE - FT VALE.	RAISED OR FLAT FACE	VSP PITA® RING	0.125" 3.0mm	6.250" 158.8mm	7.500" 190.5mm		8	0.500", 0.625" 12mm, 16mm	
P29-125-VSP# 8602	SAFETY RELIEF VALVE, RECESSED WELD PAD - FT. VALE	RAISED OR FLAT FACE	VSP PITA® RING	0.125" 3.0mm	6.250" 158.8mm	7.250" 184.2mm		8	0.500" ,0.562", 0.625" 12mm, 14mm, 16mm	

8140 Quality Drive, Prince George, VA 23875  
800-334-6013 • vsptechnologies.com



# (D) MANWAY



VSP MCC#	CONNECTION	FLANGE TYPE	GASKET TYPE	THK	ID	OD	FULL-FACE DIMENSIONS	# BOLTS	BOLT DIAMETER	GASKET DESIGN
***	MANWAY	RAISED/FLAT FACE OR TONGUE & GROOVE	VSP CYCLETIGHT® TYPE 7/TYPE 6	***	***	***		20	0.625", 1.125" 16mm, 28.6mm	

\*\*\* = Dimensions will vary for different manway lid styles; see page 17

## VSP CycleTight®

- ▶ Broad range of chemical resistance
- ▶ Patented insert technology achieves lower stress to seal, lower relaxation & torque loss, and protection against cut through, cracks & distortion



8140 Quality Drive, Prince George, VA 23875  
800-334-6013 • vsptechnologies.com

# CYCLETIGHT® GASKETS FOR TANK CONTAINERS

VSP MCC#	CONNECTION	FLANGE TYPE	GASKET TYPE	THK	ID	OD
P29-125-VSP# 9200	MANWAY	RAISED OR FLAT FACE	CYCLETIGHT® TYPE 7	0.125" 3.0mm	17.750" 450.9mm	20.500" 520.7mm
P29-125-VSP# 8990	MANWAY	RAISED OR FLAT FACE	CYCLETIGHT® TYPE 6	0.125" 3.0mm	18.750" 476.3mm	20.250" 514.4mm
P29-125-VSP# 9218	MANWAY	FLAT FACE OR TONGUE & GROOVE	CYCLETIGHT® TYPE 6	0.125" 3.0mm	19.500" 495.3mm	20.375" 517.5mm
P29-125-VSP# 9220	MANWAY	RAISED OR FLAT FACE	CYCLETIGHT® TYPE 7	0.125" 3.0mm	19.500" 495.3mm	21.500" 546.1mm
P29-125-VSP# 9240	MANWAY	RAISED OR FLAT FACE	CYCLETIGHT® TYPE 7	0.125" 3.0mm	19.500" 495.3mm	22.000" 555.8mm
P29-125-VSP# 9245	MANWAY	RAISED OR FLAT FACE	CYCLETIGHT® TYPE 6	0.125" 3.0mm	19.685" 500mm	22.244" 565mm
P29-125-VSP# 9250	MANWAY	RAISED OR FLAT FACE	CYCLETIGHT® TYPE 6	0.125" 3.0mm	20.000" 508mm	21.250" 539.75mm
P29-125-VSP# 9252	MANWAY - NPS 20 CLASS 150	RAISED OR FLAT FACE	CYCLETIGHT® TYPE 6	0.125" 3.0mm	20.000" 508mm	23.875" 606.4mm
P29-125-VSP# 9254	MANWAY - NPS 20 CLASS 300	RAISED OR FLAT FACE	CYCLETIGHT® TYPE 6	0.125" 3.0mm	20.000" 508mm	25.750" 654.1mm
P29-125-VSP# 9256	MANWAY	FLAT FACE OR TONGUE & GROOVE	CYCLETIGHT® TYPE 6	0.125" 3.0mm	20.000" 508mm	21.250" 539.8mm
P29-125-VSP# 9199	MANWAY	RAISED OR FLAT FACE	CYCLETIGHT® TYPE 6	0.125" 3.0mm	20.157" 512mm	20.787" 528mm
P29-125-VSP# 9258	MANWAY	FLAT FACE OR TONGUE & GROOVE	CYCLETIGHT® TYPE 6	0.125" 3.0mm	20.375" 517.5mm	21.375" 542.9mm
P29-125-VSP# 9265	MANWAY	RAISED OR FLAT FACE	CYCLETIGHT® TYPE 6	0.125" 3.0mm	20.472" 520mm	22.8365" 580mm
P29-125-VSP# 9043	MANWAY	RAISED OR FLAT FACE	CYCLETIGHT® TYPE 6	0.125" 3.0mm	20.500" 520.7mm	22.375" 568.3mm
P29-125-VSP# 9260	MANWAY	RAISED OR FLAT FACE	CYCLETIGHT® TYPE 7	0.125" 3.0mm	20.500" 520.7mm	23.000" 584.2mm
P29-125-VSP# 9261	MANWAY	FLAT FACE OR TONGUE & GROOVE	CYCLETIGHT® TYPE 6	0.125" 3.0mm	20.625" 523.9mm	21.875" 555.6mm
P29-125-VSP# 9257	MANWAY	RAISED OR FLAT FACE	CYCLETIGHT® TYPE 6	0.125" 3.0mm	20.629" 524mm	22.204" 564mm
P29-125-VSP# 9058	MANWAY - GASCON	FLAT FACE OR TONGUE & GROOVE	CYCLETIGHT® TYPE 6	0.125" 3.0mm	20.750" 527.1mm	21.750" 552.5mm
P29-125-VSP# 9259	MANWAY	FLAT FACE OR TONGUE & GROOVE	CYCLETIGHT® TYPE 6	0.125" 3.0mm	20.750" 527.1mm	21.625" 549.3mm
P29-125-VSP# 9270	MANWAY	RAISED OR FLAT FACE	CYCLETIGHT® TYPE 6	0.125" 3.0mm	21.000" 533.4mm	21.937" 557.2mm
P29-125-VSP# 9272	MANWAY	RAISED OR FLAT FACE	CYCLETIGHT® TYPE 6	0.125" 3.0mm	21.250" 540mm	22.835" 580mm
P29-125-VSP# 9273	MANWAY	RAISED OR FLAT FACE	CYCLETIGHT® TYPE 6	0.125" 3.0mm	21.250" 540mm	23.500" 597mm
P29-125-VSP# 9044	MANWAY	RAISED OR FLAT FACE	CYCLETIGHT® TYPE 6	0.125" 3.0mm	21.574" 548mm	22.637" 575mm
P29-125-VSP# 9262	MANWAY	RAISED OR FLAT FACE	CYCLETIGHT® TYPE 6	0.125" 3.0mm	21.625" 549.3mm	22.625" 574.7mm
P29-125-VSP# 9263	MANWAY	RAISED OR FLAT FACE	CYCLETIGHT® TYPE 6	0.125" 3.0mm	21.687" 550.9mm	22.625" 574.7mm
P29-125-VSP# 9264	MANWAY	RAISED OR FLAT FACE	CYCLETIGHT® TYPE 6	0.125" 3.0mm	21.750" 552.45mm	23.187" 589mm

\*Highlighted items are available sizes but not kept in stock at VSP

8140 Quality Drive, Prince George, VA 23875  
800-334-6013 • vsptechnologies.com

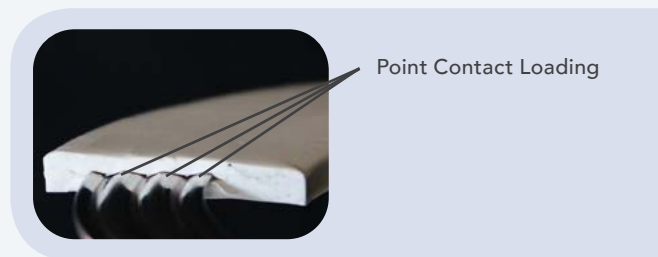
# PITA® RING GASKETS FOR TANK CONTAINERS

VSP MCC#	CONNECTION	FLANGE TYPE	THK	ID	OD
P29-125-VSP# 8010	NPS 1/2 CLASS 150	RAISED FACE	0.125" 3.0mm	0.674" 17.1mm	1.875" 47.6mm
P29-125-VSP# 8035	NPS 3/4 CLASS 150	RAISED FACE	0.125" 3.0mm	0.875" 22mm	2.250" 57.2mm
P29-125-VSP# 8055	NPS 1 CLASS 150	RAISED FACE	0.125" 3.0mm	1.093" 27.8mm	2.625" 66.7mm
P29-125-VSP# 8134	NPS 1-1/2 CLASS 150	RAISED FACE	0.125" 3.0mm	1.687" 42.9mm	3.375" 85.7mm
P29-125-VSP# 8235	NPS 2 CLASS 150	RAISED FACE	0.125" 3.0mm	2.375" 60.3mm	4.125" 104.8mm
P29-125-VSP# 8285	NPS 2-1/2 CLASS 150/DIN 65 PN 16	RAISED FACE	0.125" 3.0mm	2.875" 73mm	4.875" 123.8mm
P29-125-VSP# 8362	NPS 3 CLASS 150	RAISED FACE	0.125" 3.0mm	3.500" 85.9mm	5.375" 136.5mm
P29-125-VSP# 8480	NPS 3-1/2 CLASS 150 MODIFIED	RAISED FACE	0.125" 3.0mm	4.250" 108mm	6.250" 158.8mm
P29-125-VSP# 8500	NPS 4 CLASS 150	RAISED FACE	0.125" 3.0mm	4.500" 114.3mm	6.875" 174.6mm
P29-125-VSP# 8553	NPS 5 CLASS 150/DIN 125 PN 16	RAISED FACE	0.125" 3.0mm	5.562" 138.1mm	7.750" 196.9mm

## VSP PITA®

- ▶ Corrugated 316 stainless steel insert fully encapsulated within expanded PTFE out facings
- ▶ High thermal cycling/operating tightness
- ▶ 2X blow-out resistance
- ▶ Lower relaxation & torque loss
- ▶ Low torque sealing
- ▶ Unlimited shelf life
- ▶ No adhesive - zero process contamination

- ▶ Corrugated peaks - defined contact points result in lower stress to seal than conventional virgin filled PTFE or ePTFE gaskets



8140 Quality Drive, Prince George, VA 23875  
800-334-6013 • vsptechnologies.com

## VSP CONTACTS

### Steve Benet

Deputy Director Bulk Transportation Equipment  
Mobile: +1 (281) 881-1912  
Email: [steve.benet@vsptechnologies.com](mailto:steve.benet@vsptechnologies.com)

### Tom Lokey

Sealing Specialist  
Mobile: +1 (302) 304-0825  
Email: [tom.lokey@vsptechnologies.com](mailto:tom.lokey@vsptechnologies.com)

### Ginger Hayden

Support Services Specialist - Transportation  
Mobile: +1 (804) 668-1018  
Email: [ginger.hayden@vsptechnologies.com](mailto:ginger.hayden@vsptechnologies.com)

### Corporate Office

8140 Quality Drive  
Prince George, VA

Tel: +1 (804) 541-0812  
Fax: +1 (804) 452-1251

### Houston Office

520 Orchard Street  
Webster, TX 77598

[www.vsptechnologies.com](http://www.vsptechnologies.com)



8140 Quality Drive, Prince George, VA 23875  
800-334-6013 • [vsptechnologies.com](http://vsptechnologies.com)